



100% MADE IN ITALY

PROGETTO 300

GOAL

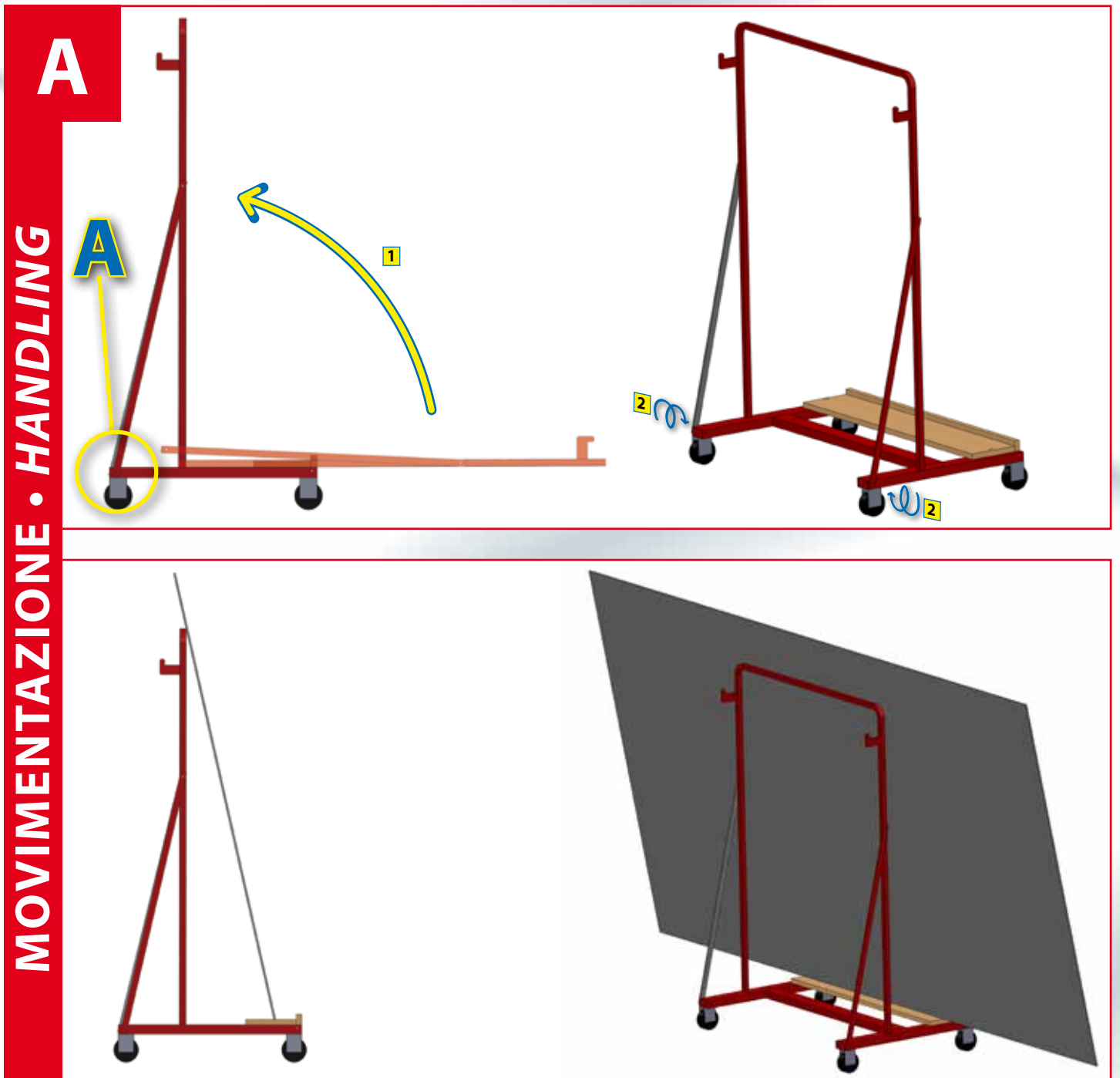
Art. 300-85

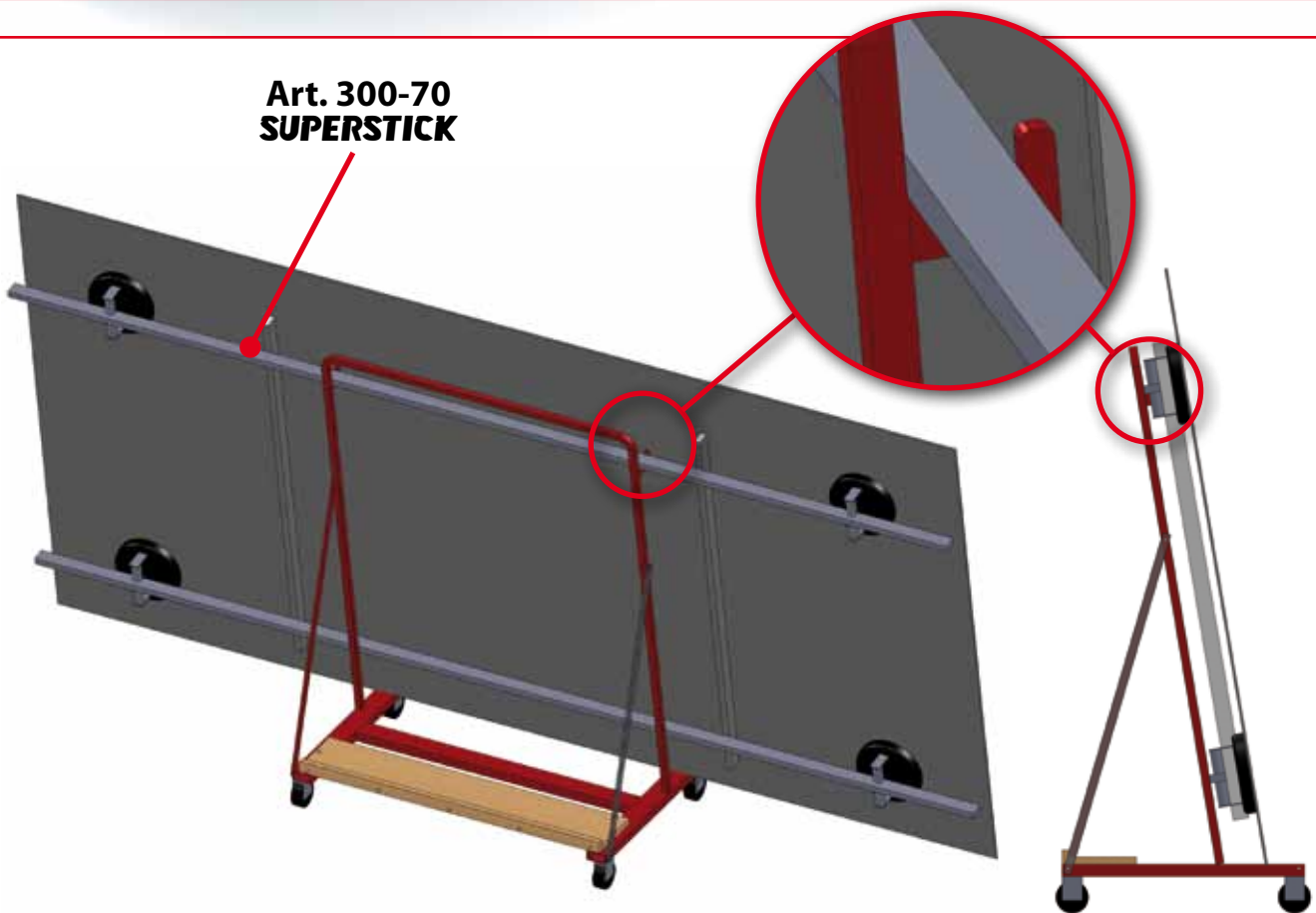
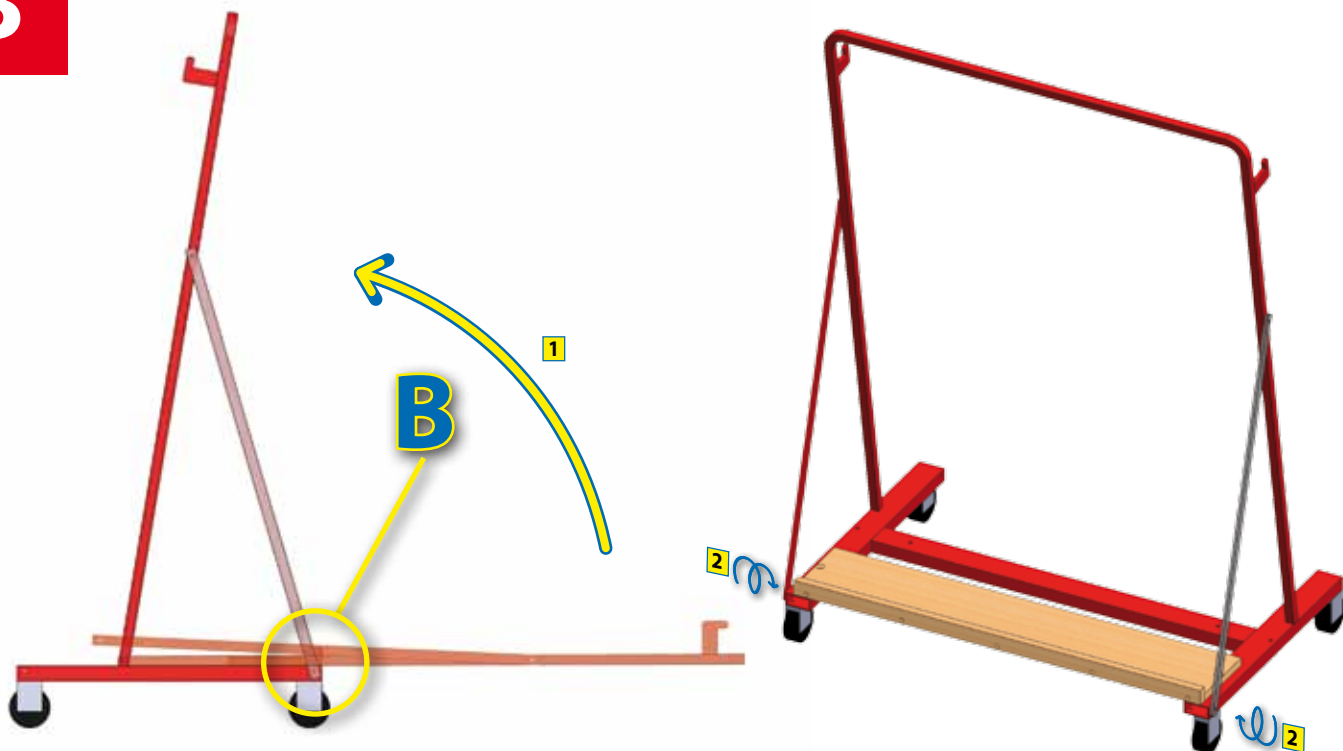
PORTATA:
MAX LOAD:
150 Kg



 Carrello per grandi formati

 *Bogie for large tiles*





<http://www.montolit.com/2012/03/Grandi-Formati-Progetto-300>

Brevetti MONTOLIT S.p.A.

Via Turconi, 25 - 21050 Cantello (VA) ITALY • www.montolit.com - e-mail: info@montolit.com